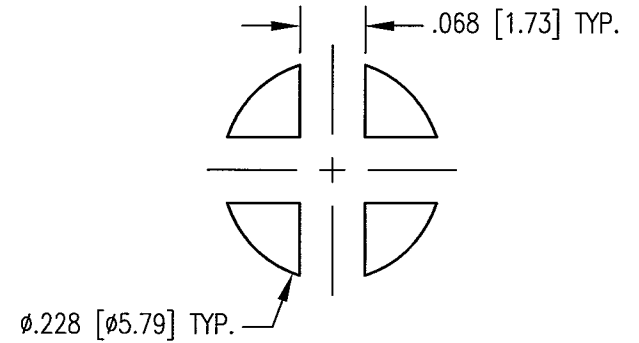
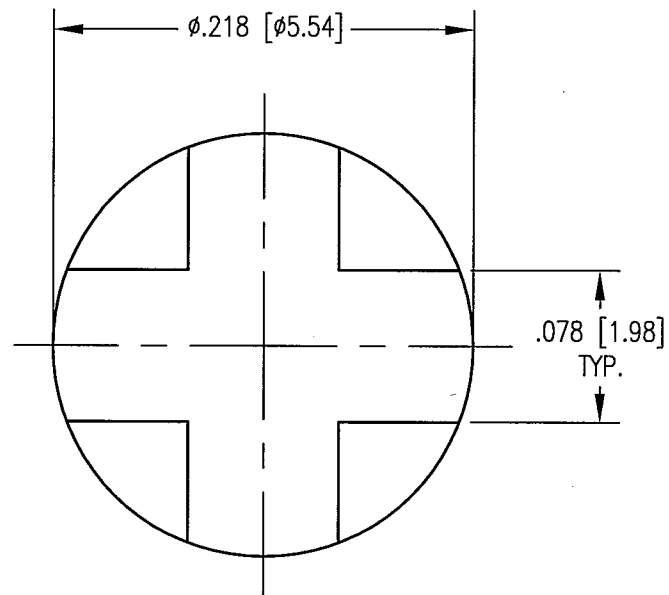
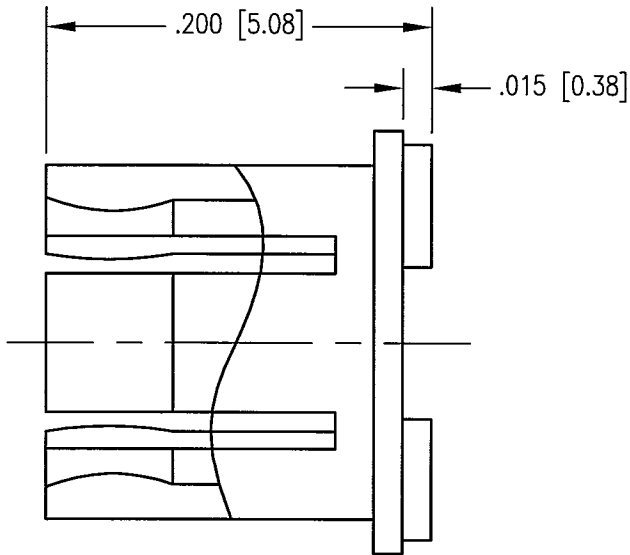


REV	DESCRIPTION	BY DATE	APPD
A	ECR 7447	JWH 8/23/02	JWH



RECOMMENDED PAD LAYOUT

NOTES:

- MATERIALS:
BODY: B05 PER UNS 53800
- FINISH:
BODY: .000030 MIN. GOLD PER MIL-G-45204 OVER
.000050 MIN. NICKEL PER QQ-N-290

PER ASME Y14.5M-1994 UNLESS OTHERWISE SPECIFIED: DIMENSIONS ARE IN INCHES [MM]				NORTHROP GRUMMAN			
TOLERANCES: DECIMALS .XX ± .01 [0.254] .XXX ± .005 [0.127]				Winchester Electronics 400 Park Road Watertown, CT 06795			
ANGLES ± 2°				SCALE: 8:1			
CUSTOMER DRAWING				TITLE			
DRAWN KJT			DATE 01/31/02	CHECKED JWH		DATE 2/1/02	
APPROVED JEM			DATE 2/1/02	APPROVED JED		DATE 2/1/02	
A	01333			SHT. OF	1 1	REV. A	