

# Isolator

## Coaxial, TETRA w/Reverse Power Detector (390 - 400 MHz)

### Model: I403940C

#### Application - Wireless

- ◆ TETRA Base Station
- ◆ Private Mobile Radio (PMR)
- ◆ Power Combiners, Duplexers and Amplifiers

#### Benefits

- ◆ Low Insertion Loss
- ◆ High Isolation
- ◆ Available in all TETRA Frequency Bands

#### Features

- ◆ Includes Integrated Reverse Power Detector
- ◆ Optional High Reverse Power Version
- ◆ Optional Connector Types

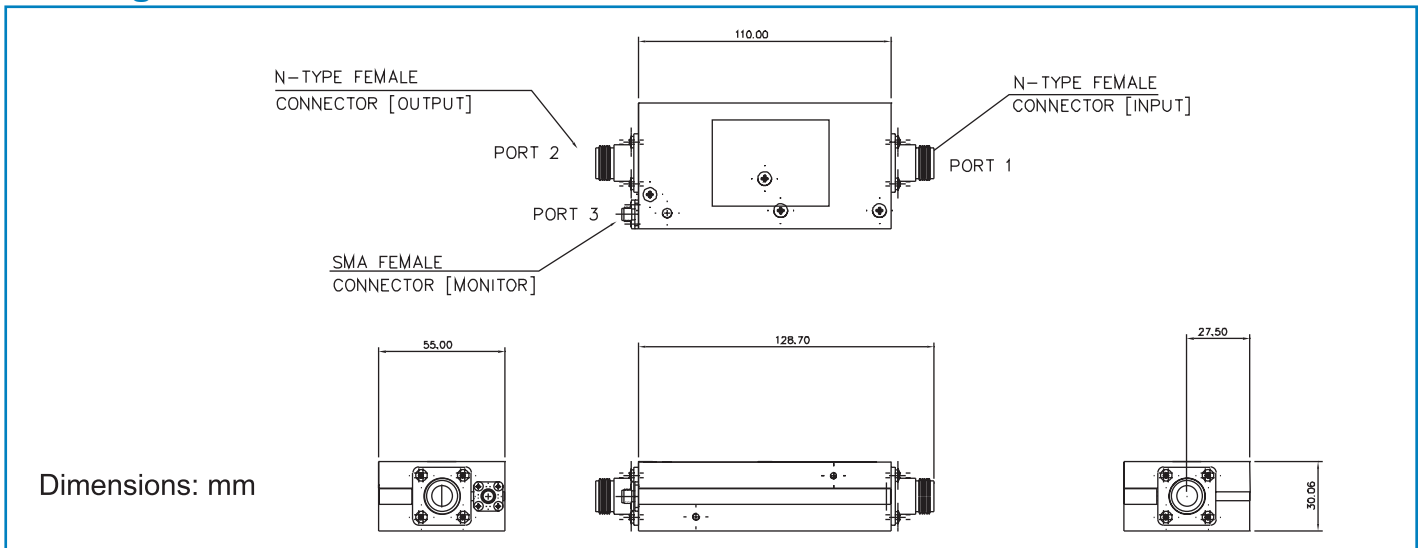


#### Specifications: Subject to change without notice

Parameter	Specification			Unit
	Min	Typ	Max	
Frequency	390 - 400			MHz
Isolation	55	60	-	dB
Insertion Loss	-	0.40	0.50	dB
Return Loss	23	25	-	dB

Parameter	Specification			Unit
	Min	Typ	Max	
Operating Temp.	-10	-	65	°C
Forward Power	-	-	80	W
Reverse Power	-	-	32	W
Interface	Optional Connector Type			
Notes:				

#### Drawing



© 2003 TRAK Communications, Inc.



**TRAK Microwave**  
 E-mail: [sales@trak.com](mailto:sales@trak.com) ♦ [www.trak.com](http://www.trak.com)  
 4726 Eisenhower Blvd  
 Tampa, Florida 33634-6391 USA  
 Ph: 813-901-7200 ♦ Fx: 813-901-7491

Dunsinane Avenue  
 Dundee, DD2 3QF Scotland  
 Ph: 44-1382-427200 ♦ Fx: 44-1382-833599

